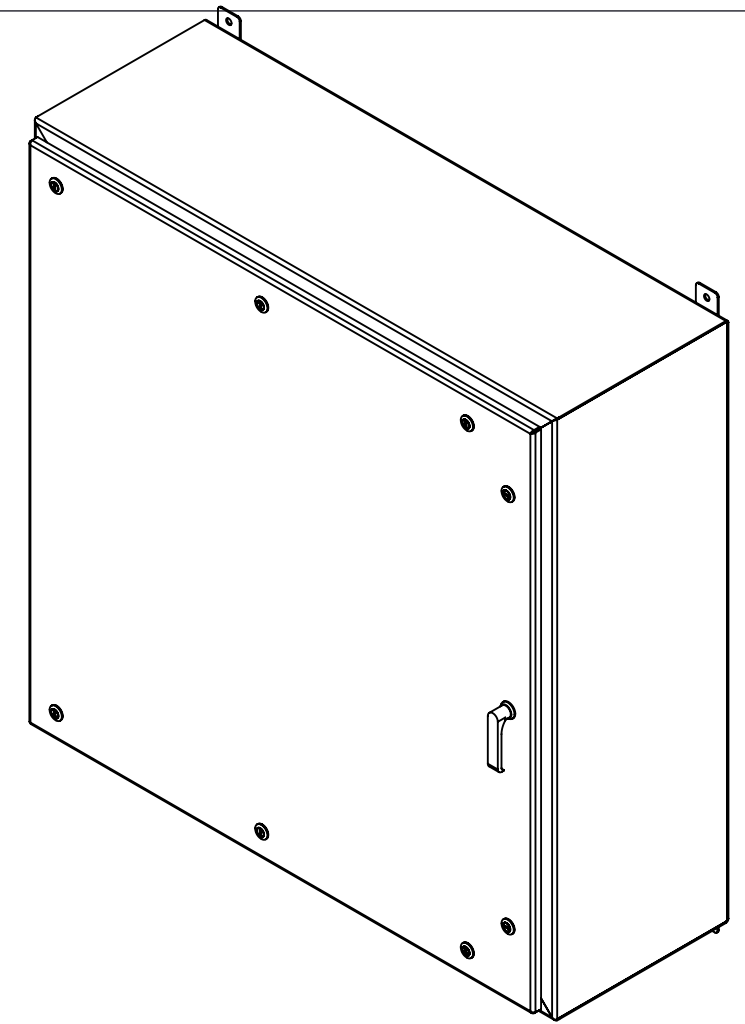
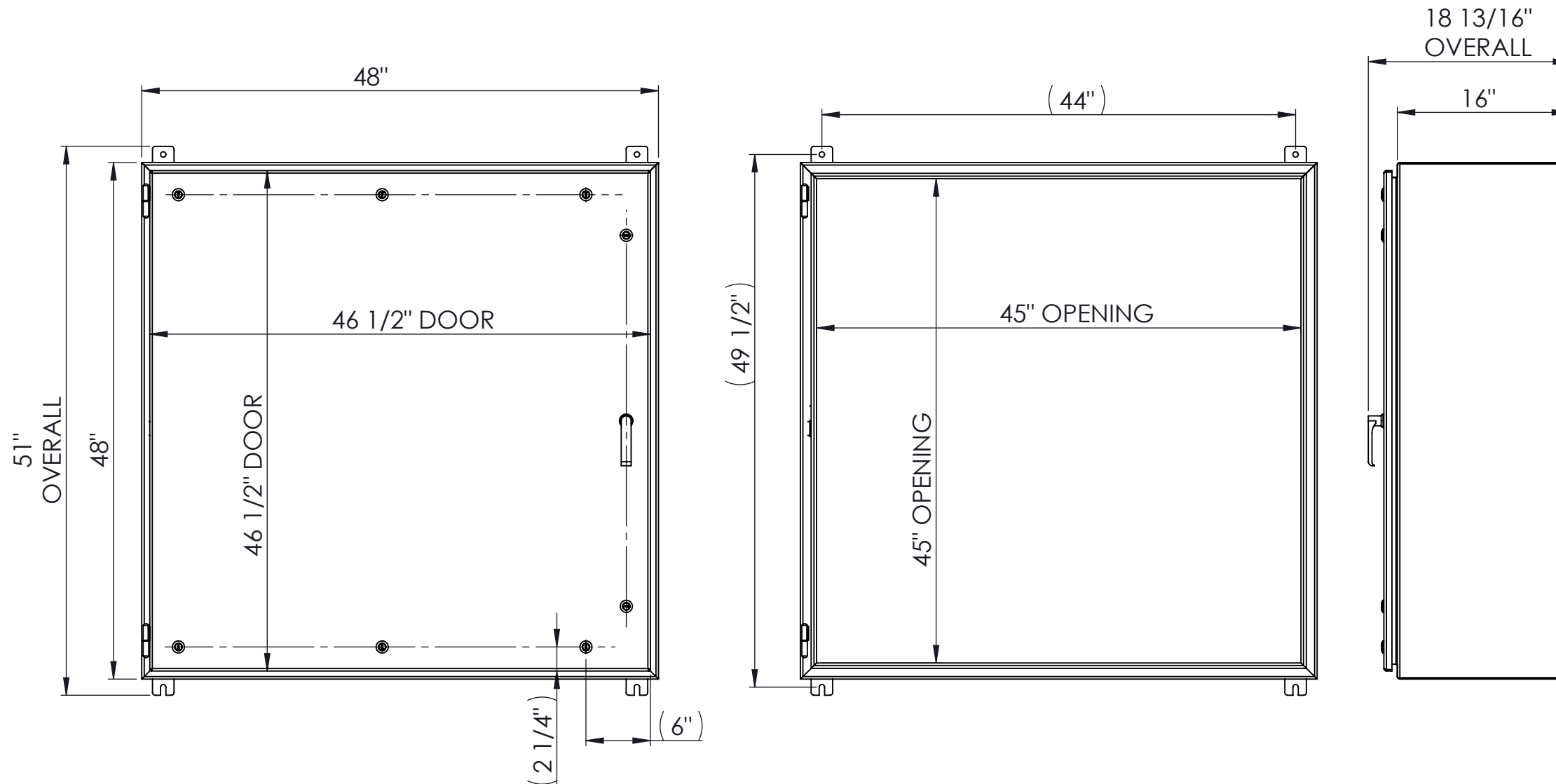


JOB NUMBER: #####
PROJECT MANAGER: #####
WORK: #####
CELL: #####
EMAIL: #####
DESIGNER: #####
WORK: #####
CELL: #####
EMAIL: #####



NOTE:

- ENCLOSURE TO BE FABRICATED FROM 12 GA. SHEET; #4 ONE SIDE; T304
- EXTERIOR - #4 POLISH; ALL WELDS GROUND AND POLISHED
- INTERIOR - 2B FINISH
- SUB PANEL SIZE** - 44 3/4" x 44 3/4"
- ALL DIMENSIONS MARKED IN PARENS ARE TYPICAL

HARDWARE:

- HINGE** - GUDEN; SSWMO32 FP
- QAURTER TURN** - SIERRA PACIFIC; 41-3355T; 12C2C LATCH
- HANDLE** - DIRAK: 7-103 QAURTER TURN WITH HANDLE PR20.1 L18

THIS DRAWING AND SPECIFICATIONS ARE THE PROPERTY OF MIDWEST STAINLESS PROCESS SYSTEMS
 THE MANUFACTURE OR SALE OF ITEMS WITHOUT WRITTEN PERMISSION.

MIDWEST STAINLESS TECHNOLOGIES™
 5418 3RD DRIVE, SUITE 10
 MENOMONIE, WI 54751
 Ph: (715)235-5472
 Fax: (715)235-8484

ISSUED FOR REVIEW	A	-	-	-
DESCRIPTION	REV.	DATE	BY	ENG
REVISION HISTORY				
SCALE	NTS	CUSTOMER	-	-
DATE	-	-	-	-
DRAWN BY	-	DESCRIPTION	-	-
CHECKED BY	-	FT 48H48W16D-304UL4X ENCLOSURE		
ENG./APPROVED BY	-	DRAWING NUMBER	-	REV.
SHEET	1	OF	1	FT-48H48W16D-304UL4X A