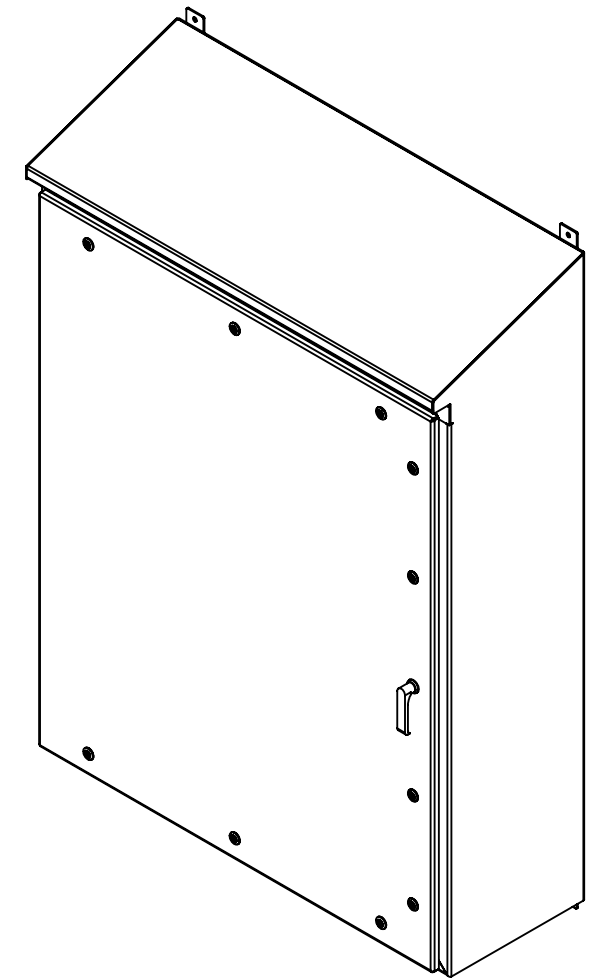
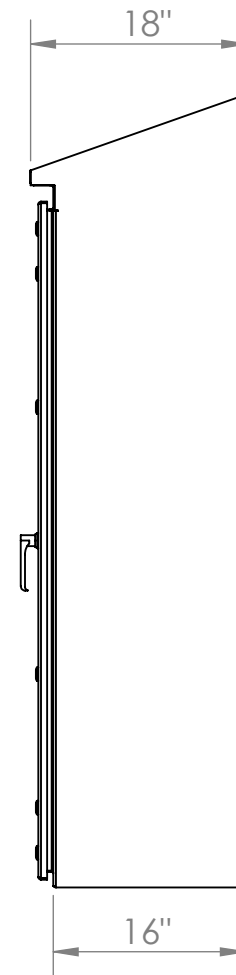


DOOR HIDDEN
TO SHOW PANEL OPENING



JOB NUMBER: #

PROJECT MANAGER:

WORK: (715) 235-5472 EXT.

CELL:

EMAIL: @midweststainless.com

DESIGNER:

WORK: (715) 235-5472 EXT.

CELL:

EMAIL: @midweststainless.com

HARDWARE:

1. **HINGE** - GUDEN; SSWMO32 FP
2. **QUARTER TURN** - SIERRA PACIFIC; 41-005ST; 12C26 LATCH
3. **HANDLE** - DIRAK; 7-103 QUARTER TURN WITH HANDLE PR20.1 L18

NOTE:

1. ENCLOSURE TO BE FABRICATED FROM 12 GA. SHEET; #4 ONE SIDE; T304
2. EXTERIOR #4 POLISH & ALL WELDS GROUND & POLISHED
3. INTERIOR 2B FINISH
4. **SUB PANEL SIZE** - 54 3/4" x 44 3/4"

ISSUED FOR REVIEW	A			
DESCRIPTION	REV	DATE	BY	ENG.
REVISION HISTORY				
DATE	REV	DESCRIPTION	BY	ENG.

MIDWEST STAINLESS TECHNOLOGIES™	5408 3rd Drive, Suite 100 Menomonee Falls, WI 53051 Ph: (715) 235-5472 Fax: (715) 235-5472																						
<table border="1"> <tr> <td>Project</td> <td>NTS</td> <td>Location</td> <td></td> </tr> <tr> <td>Client</td> <td></td> <td>Contract</td> <td></td> </tr> <tr> <td>Manufacturer</td> <td></td> <td>Part</td> <td></td> </tr> <tr> <td>Manufacturer</td> <td></td> <td>Part</td> <td></td> </tr> </table>	Project	NTS	Location		Client		Contract		Manufacturer		Part		Manufacturer		Part		<table border="1"> <tr> <td>Drawing Title</td> <td>ST66H4RW16D-304UL4X - ENCLOSURE</td> </tr> <tr> <td>Drawing Number</td> <td>ST66H4RW16D-304UL4X</td> </tr> <tr> <td>Sheet</td> <td>1 OF 1</td> </tr> </table>	Drawing Title	ST66H4RW16D-304UL4X - ENCLOSURE	Drawing Number	ST66H4RW16D-304UL4X	Sheet	1 OF 1
Project	NTS	Location																					
Client		Contract																					
Manufacturer		Part																					
Manufacturer		Part																					
Drawing Title	ST66H4RW16D-304UL4X - ENCLOSURE																						
Drawing Number	ST66H4RW16D-304UL4X																						
Sheet	1 OF 1																						

THIS DRAWING AND SPECIFICATIONS ARE THE PROPERTY OF MIDWEST STAINLESS TECHNOLOGIES LLC. AND SHALL NOT BE REPRODUCED, COPIED OR USED IN WHOLE OR PART AS THE BASIS FOR THE MANUFACTURE OR SALE OF ITEMS WITHOUT WRITTEN PERMISSION.