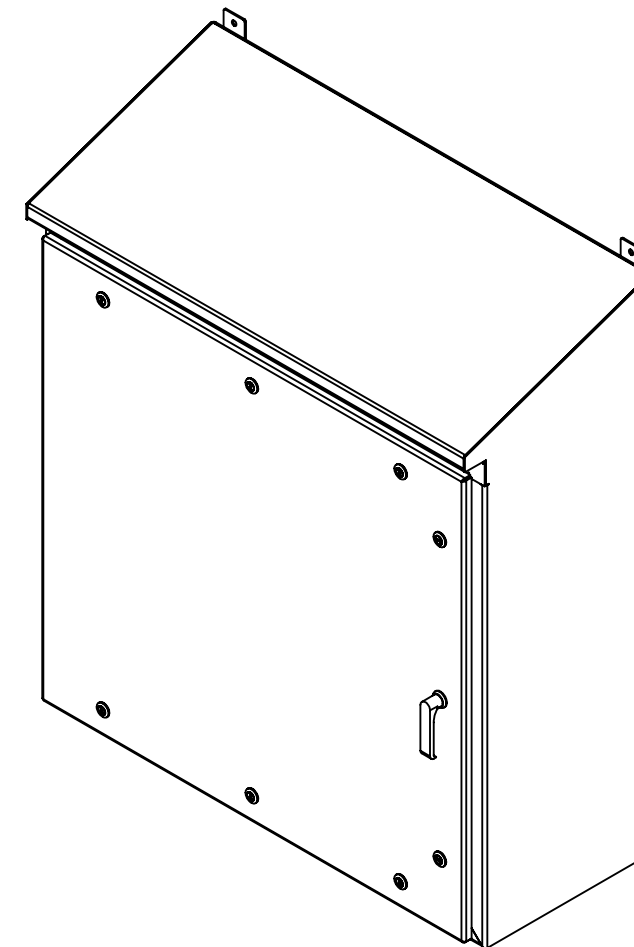
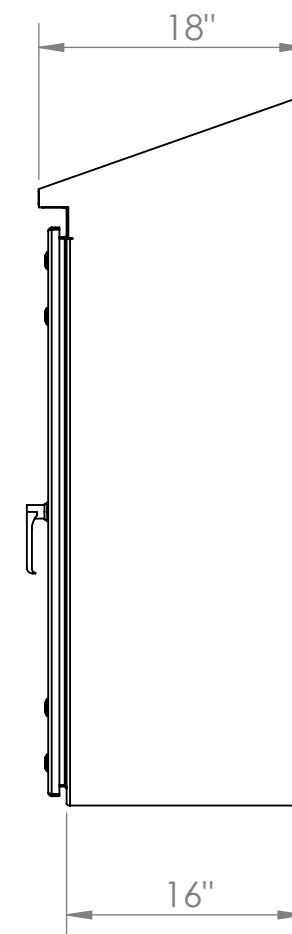


DOOR HIDDEN
TO SHOW PANEL OPENING



JOB NUMBER: #

PROJECT MANAGER:

WORK: (715) 235-5472 EXT.

CELL:

EMAIL: @midweststainless.com

DESIGNER:

WORK: (715) 235-5472 EXT.

CELL:

EMAIL: @midweststainless.com

HARDWARE:

1. **HINGE** - GUDEN; SSWMO32 FP
2. **QUARTER TURN** - SIERRA PACIFIC; 41-005ST; 12C26 LATCH
3. **HANDLE** - DIRAK; 7-103 QUARTER TURN WITH HANDLE PR20.1 L18

NOTE:

1. ENCLOSURE TO BE FABRICATED FROM 12 GA. SHEET; #4 ONE SIDE; T304
2. EXTERIOR #4 POLISH & ALL WELDS GROUND & POLISHED
3. INTERIOR 2B FINISH
4. **SUB PANEL SIZE** - 36 3/4" x 38 3/4"

THIS DRAWING AND SPECIFICATIONS ARE THE PROPERTY OF MIDWEST STAINLESS TECHNOLOGIES LLC. AND SHALL NOT BE REPRODUCED, COPIED OR USED IN WHOLE OR PART AS THE BASIS FOR THE MANUFACTURE OR SALE OF ITEMS WITHOUT WRITTEN PERMISSION.

ISSUED FOR REVIEW	A			
DESCRIPTION	REV	DATE	BY	ENG.
REVISION HISTORY				
DATE	DESCRIPTION	BY	ENG.	
 MIDWEST STAINLESS TECHNOLOGIES™				
5408 3M Drive Suite 100 Minneapolis, MN 55425 Ph: (715) 235-5472 Fax: (715) 235-5472				
Project: NTS Location:		ST48H42W16D-304UL4X - ENCLOSURE		
Drawn by:		Drawing Number:		
Checked by:		Sheet: 1 OF 1		
Professional Workmanship		Drawing Number: ST48H42W16D-304UL4X REV. A		