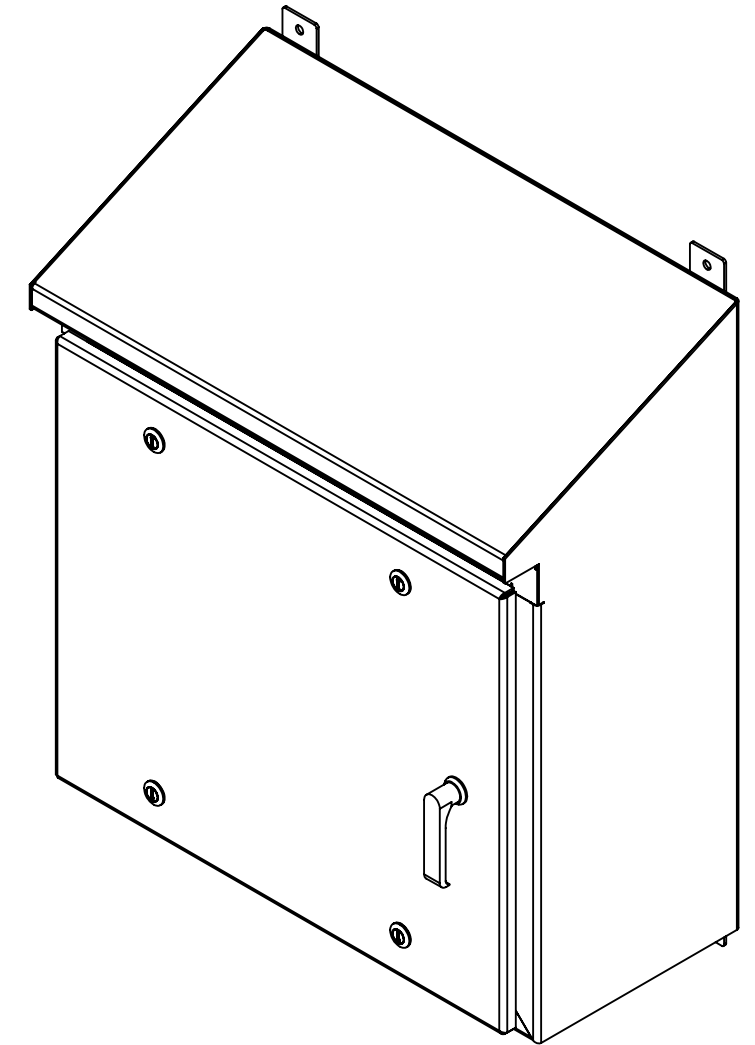
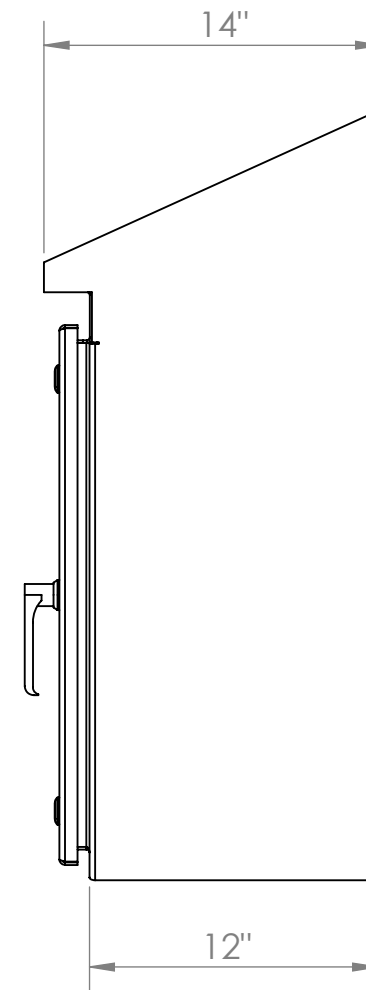


**DOOR HIDDEN**  
TO SHOW PANEL OPENING



**JOB NUMBER:** #

**PROJECT MANAGER:**

**WORK:** (715) 235-5472 EXT.

**CELL:**

**EMAIL:** @midweststainless.com

**DESIGNER:**

**WORK:** (715) 235-5472 EXT.

**CELL:**

**EMAIL:** @midweststainless.com


**HARDWARE:**

1. **HINGE** - GUDEN; SSWMO32 FP
2. **QUARTER TURN** - SIERRA PACIFIC; 41-005ST; 12C26 LATCH
3. **HANDLE** - DIRAK; 7-103 QUARTER TURN WITH HANDLE PR20.1 L18

**NOTE:**

1. ENCLOSURE TO BE FABRICATED FROM 12 GA. SHEET; #4 ONE SIDE; T304
2. EXTERIOR #4 POLISH & ALL WELDS GROUND & POLISHED
3. INTERIOR 2B FINISH
4. **SUB PANEL SIZE** - 20 3/4" x 24 3/4"

THIS DRAWING AND SPECIFICATIONS ARE THE PROPERTY OF MIDWEST STAINLESS TECHNOLOGIES LLC. AND SHALL NOT BE REPRODUCED, COPIED OR USED IN WHOLE OR PART AS THE BASIS FOR THE MANUFACTURE OR SALE OF ITEMS WITHOUT WRITTEN PERMISSION.

ISSUED FOR REVIEW	A			
DESCRIPTION	REV	DATE	BY	ENG.
REVISION HISTORY				
DATE	DESCRIPTION	BY	ENG.	
 <b>MIDWEST STAINLESS TECHNOLOGIES™</b> 5408 304 Street, Suite 100 Minneapolis, MN 55425 Ph: (715) 235-5472 Fax: (715) 235-5472				
PROJECT: NTS DRAWING NO: ST32H2RW12D-304UL4X - ENCLOSURE		DRAWING NUMBER: ST32H2RW12D-304UL4X SHEET 1 OF 1		