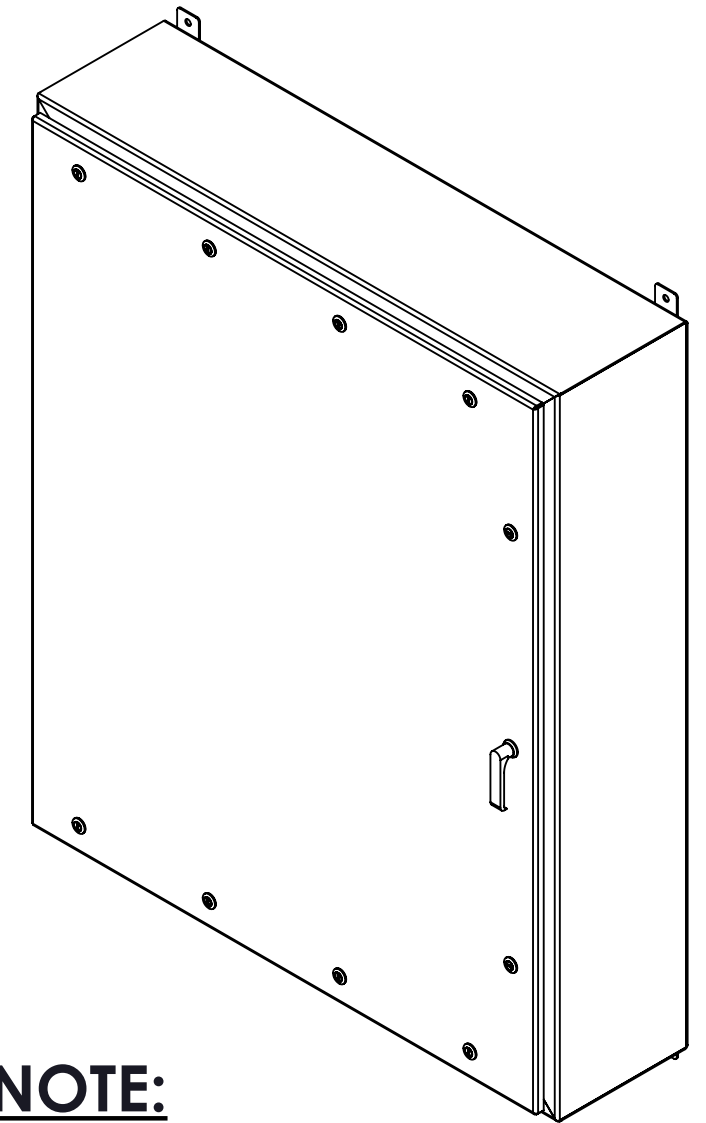
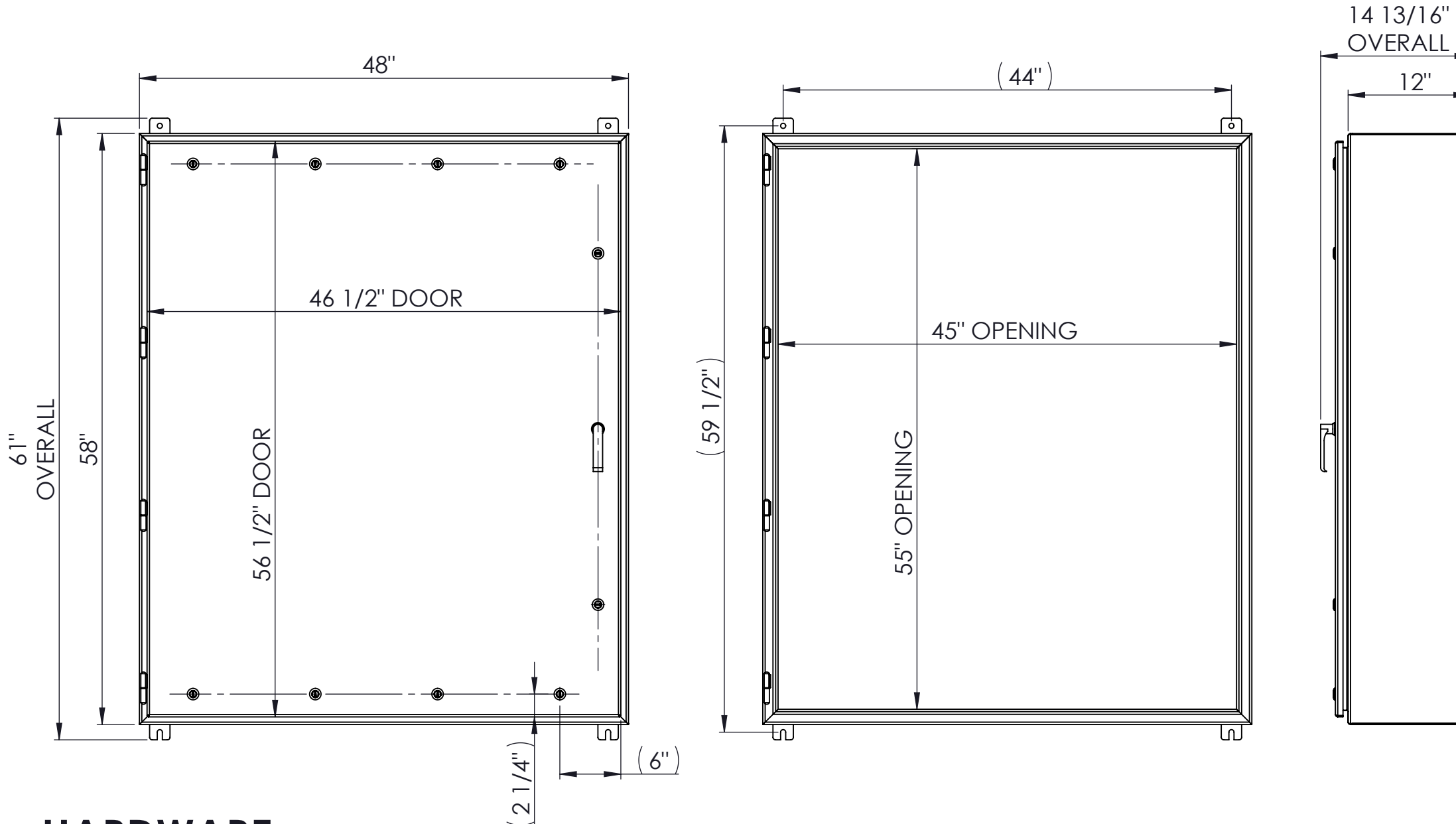


**JOB NUMBER: #####**  
**PROJECT MANAGER: #####**  
**WORK: #####**  
**CELL: #####**  
**EMAIL: #####**  
**DESIGNER: #####**  
**WORK: #####**  
**CELL: #####**  
**EMAIL: #####**




**NOTE:**

1. ENCLOSURE TO BE FABRICATED FROM 12 GA. SHEET; #4 ONE SIDE; T304
2. EXTERIOR - #4 POLISH; ALL WELDS GROUND AND POLISHED
3. INTERIOR - 2B FINISH
4. **SUB PANEL SIZE** - 54 3/4" x 44 3/4"
5. ALL DIMENSIONS MARKED IN PARENS ARE TYPICAL

**HARDWARE:**

1. **HINGE** - GUDEN; SSWMO32 FP
2. **QAURTER TURN** - SIERRA PACIFIC; 41-3355T; 12C2C LATCH
3. **HANDLE** - DIRAK: 7-103 QAURTER TURN WITH HANDLE PR20.1 L18

THIS DRAWING AND SPECIFICATIONS ARE THE PROPERTY OF MIDWEST STAINLESS PROCESS SYSTEMS LLC. AND SHALL NOT BE REPRODUCED, COPIED OR USED IN WHOLE OR PART AS THE BASIS FOR THE MANUFACTURE OR SALE OF ITEMS WITHOUT WRITTEN PERMISSION.

ISSUED FOR REVIEW		A	-	-	-
DESCRIPTION	REV.	DATE	BY	ENG	
REVISION HISTORY					
 <b>MIDWEST STAINLESS TECHNOLOGIES™</b> <small>5408 3rd Drive, Suite 10          Menomonie, WI 54751          Ph: (715)235-5472          Fax: (715)235-8484</small>					
SCALE	NTS	CUSTOMER	-		
DATE	-		-		
DRAWN BY	-	DESCRIPTION	-		
CHECKED BY	-	FT-58H48W12D-304UL4X ENCLOSURE			
ENG./APPROVED BY			DRAWING NUMBER	REV.	
SHEET	1	OF	1	FT-58H48W12D-304UL4X	A